

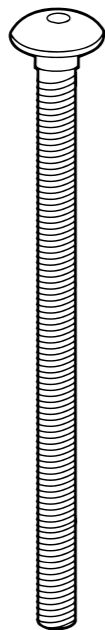
# CAMDEN COLLECTION

ASSEMBLY INSTRUCTIONS

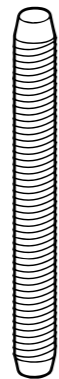
**THESE ASSEMBLY INSTRUCTIONS APPLY TO THE FOLLOWING MODELS:**

- Camden
- Hoxton
- Carnaby
- Plimlico

FITTINGS FOR CAMDEN COLLECTION



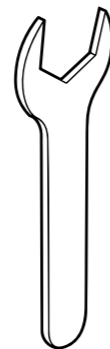
2X LONG HEADED BOLTS



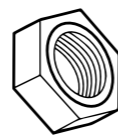
2X BOLTS



8X DOWELS



1X SPANNER

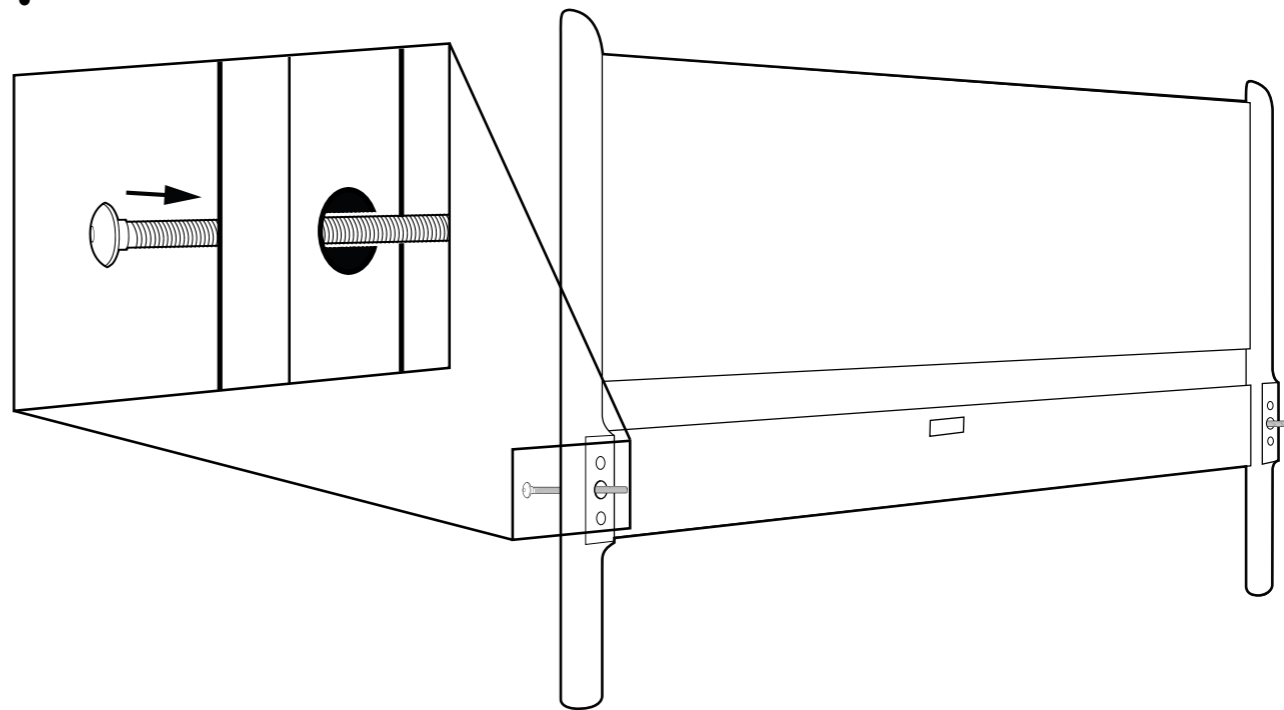


4X NUTS



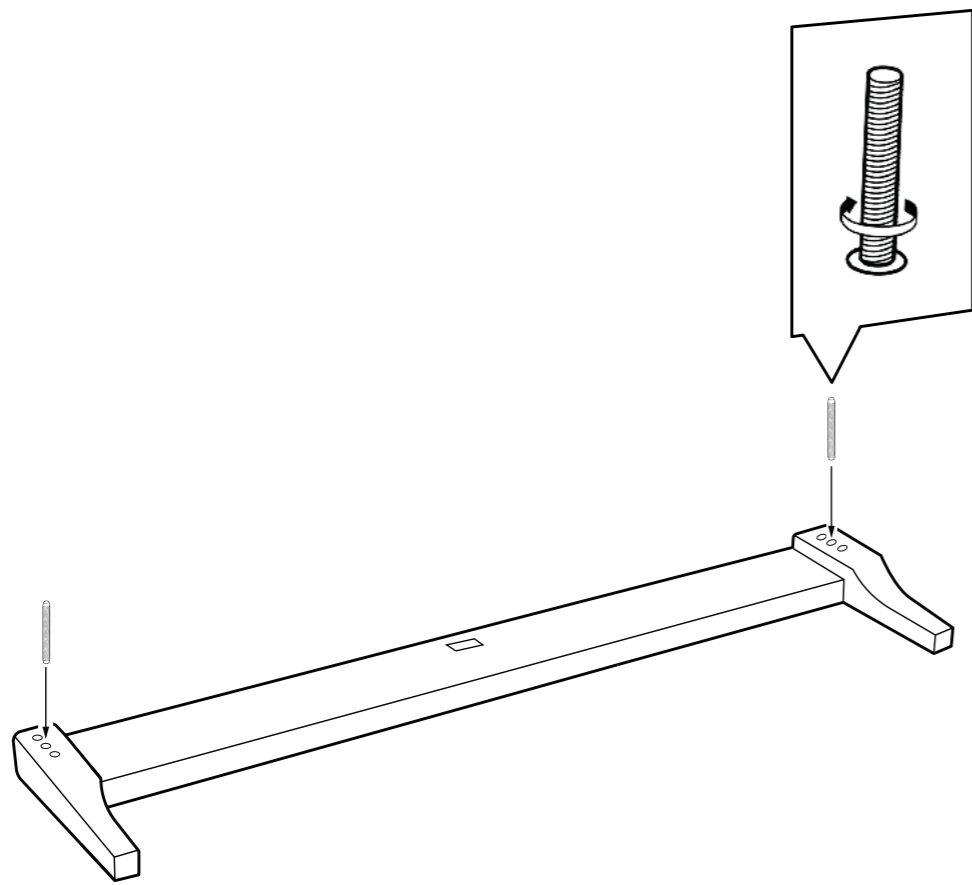
4X HALF MOON WASHERS

1.



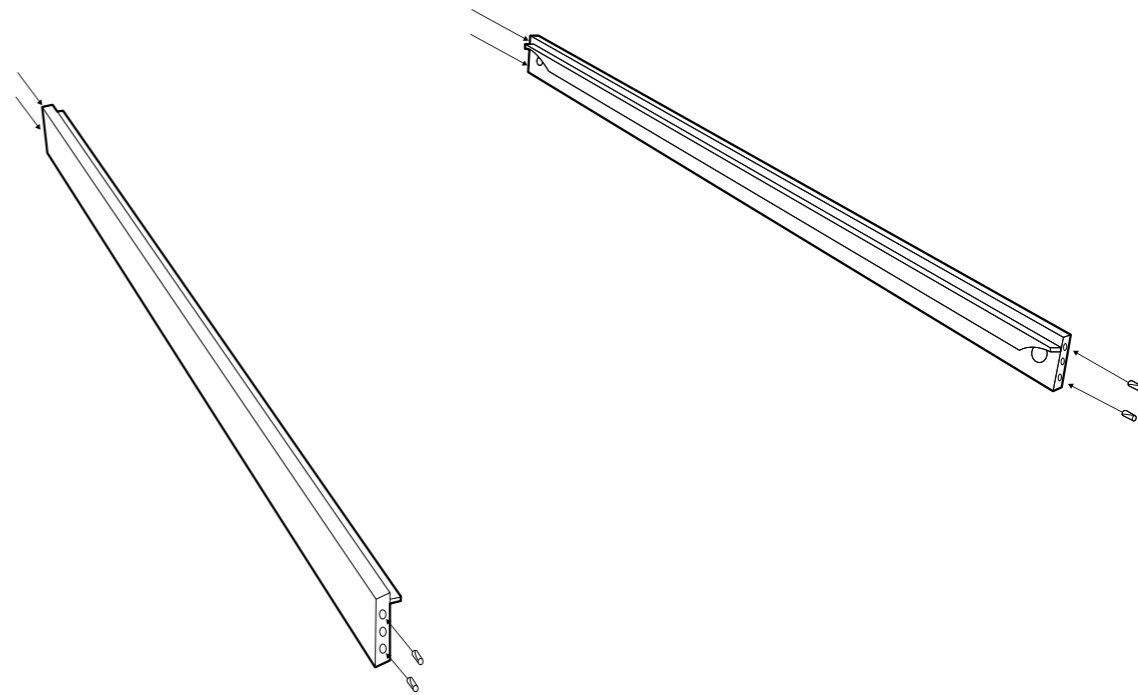
Feed the long headed bolts in from the back of the legs on the headboard  
Screw in the bolt through the internal threaded insert nut.

2.



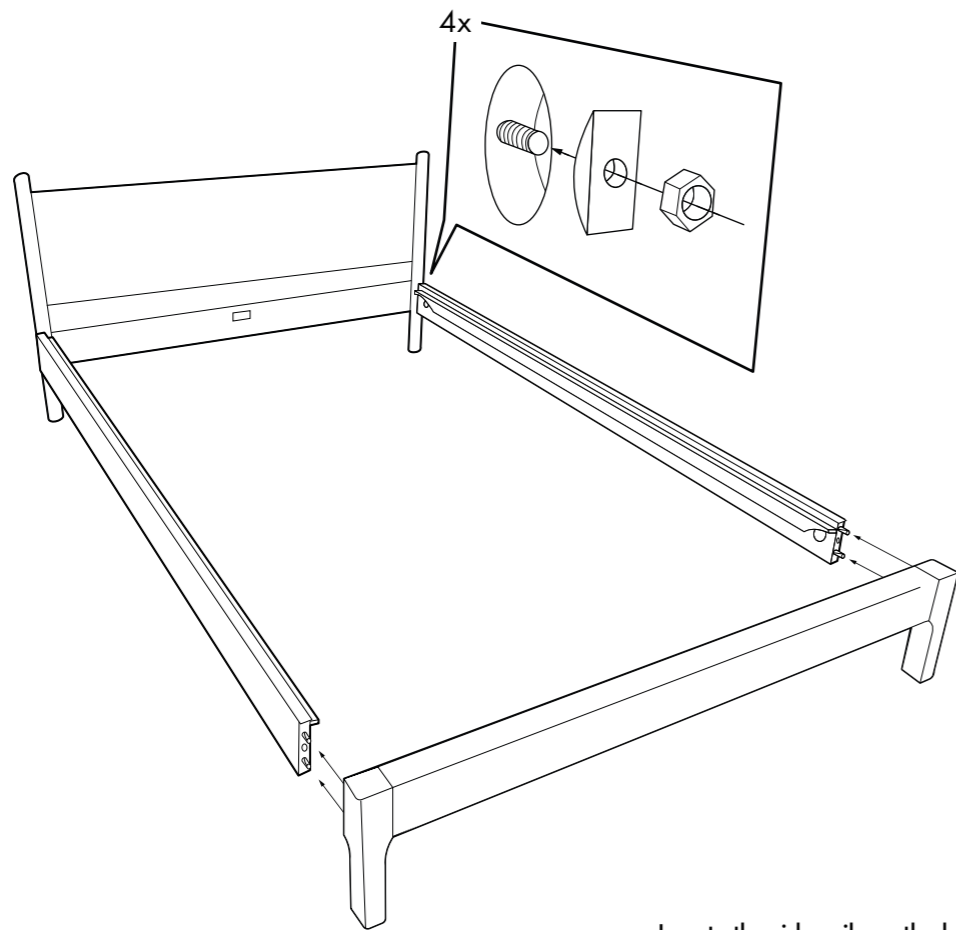
Screw in the bolts as illustrated to the bed footer.

3.



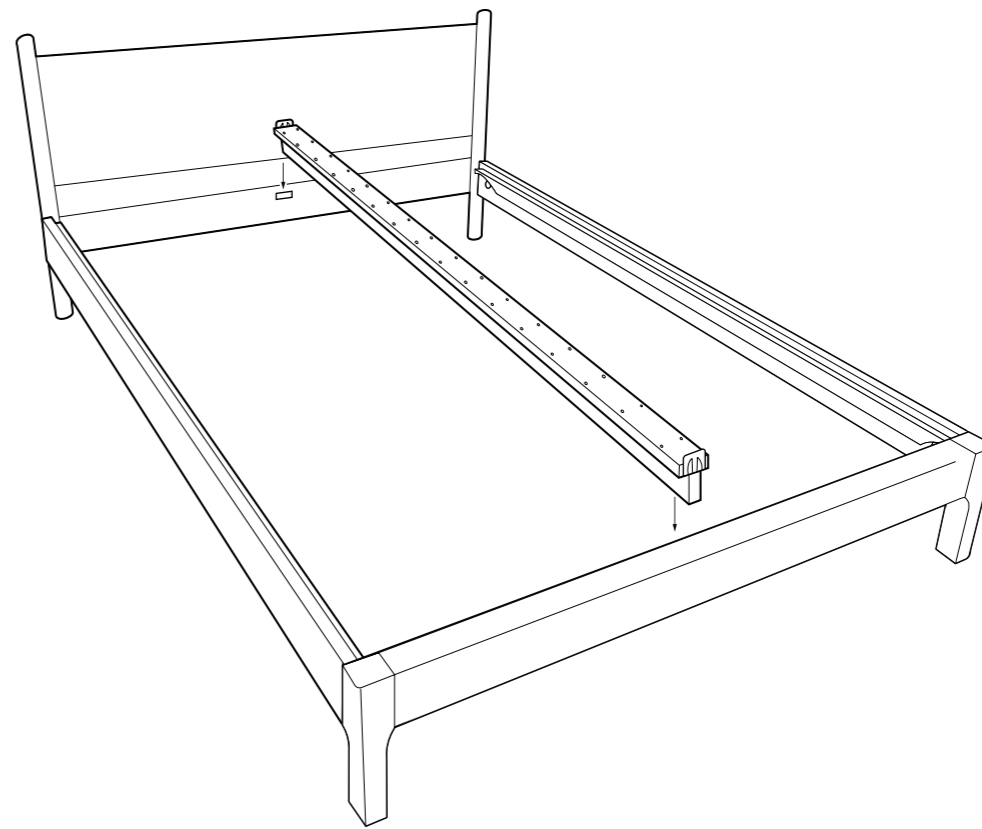
Slot in the 8 dowels to the side rails as illustrated.  
(Tap in with a rubber mallet if required).

4.



Locate the side rails on the bolts and secure using the washers and nuts, tighten using the spanner.

5.



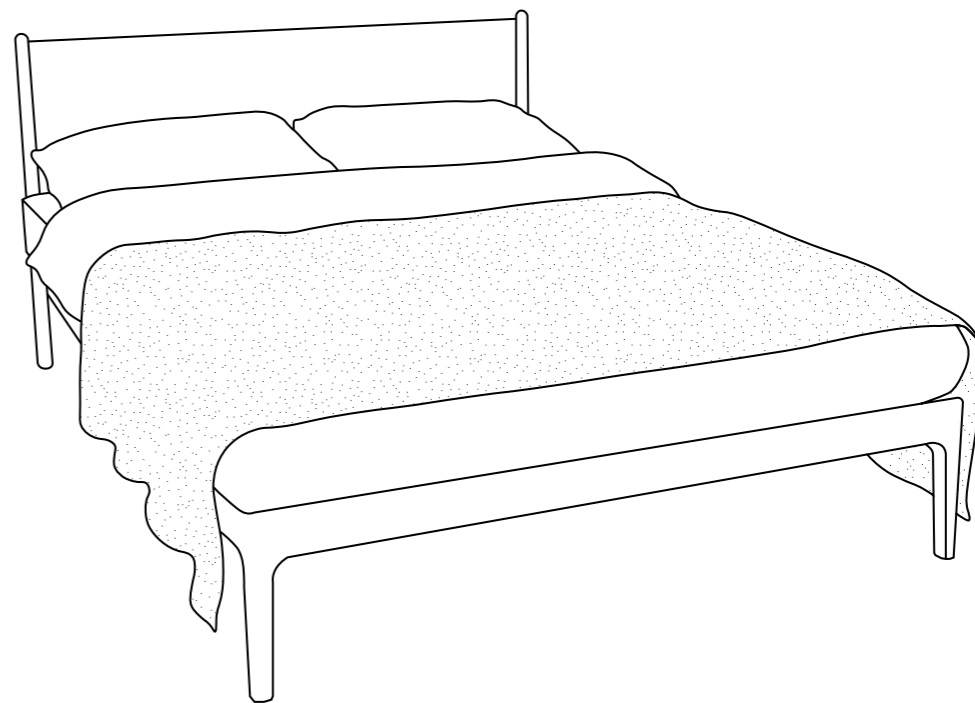
Slot in the centre rail.

\* Please note single bed bases (75cm & 90cm) will not include a centre rail.

6.



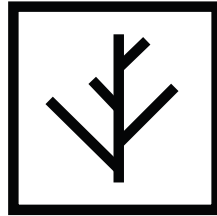
Place the end caps on the sprung slats and attach to frame  
(centre of the gently curved slats should be upwards).



\* Please note - if you have ordered a standard single (90cm) or super-king (180cm) bed base you will also receive a set of double slats with sliders. These slats are for holes 4-9 from the head of the bed base.

\* Some designs (where the mattress doesn't sit within the frame, but sits on top of it) will come with a sheet of non-slip matting to prevent the mattress from moving on the base.

THANK YOU FOR BUYING A BED FROM



**NATURAL BED  
COMPANY**

DEVONSHIRE POINT, 123-125 FITZWILLIAM STREET, SHEFFIELD, S1 4JP

T:0114 272 1984

E: SALES@NATURALBEDCOMPANY.CO.UK

W: WWW.NATURALBEDCOMPANY.CO.UK